



DS-LED-6-S15W

6" Round Indirect Slim Recessed LED 15W



DESCRIPTION

6" Round Indirect Slim Recessed LED With Integral Driver In Connection Box

FEATURES & BENEFITS

Indirect Light for reduced glare

2" Thick - Fits in tight ceiling spaces

Type IC Rated - No Housing Required

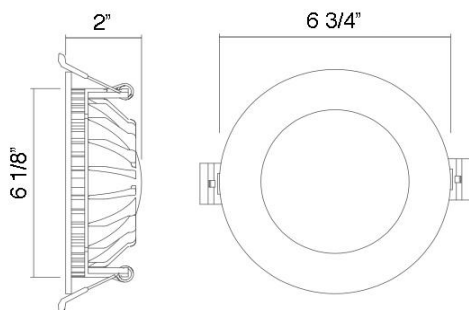
Driver Inside Connection Box - No Junction Box Needed

5 CCT User Selectable 2700 - 3000 - 3500 - 4000 - 5000K

CRI 90+ for True Color Rendering

DIMENSIONS ID 6 1/8" OD 6 3/4" Depth 2"

Cut Out 6 1/4" Round Hole



120V Triac Dimmable Driver Included



ORDERING GUIDE

	CCT	Trim
DS-LED-6-S15W-5CCT-WH	5CCT	White



Project: _____

Location: _____

Model: _____ Qty: _____

Notes: _____

SPECIFICATION	
Applications	Renovations & New Construction
Energy Used	15 W
Color Temperature (K)	5CCT : 2700 - 3000 - 3500 - 4000 - 5000
Light Output (lm)	980 - 1000 - 1050 - 1050 - 1020
Halogen Equivalent	100 W
Beam Angle	140°
CRI	90 +
Driver Input	120V AC 50/60 Hz
Dimming	TRIAC Dimmers 10% - 100%
Junction Box Volume	9.69 cubic inches / Max 5 No 12 AWG or 8 No 14 AWG
Approved Location	Insulated Ceiling & Damp Locations
Air Tight	Yes
Ambient Temperature	-4°F (-20°C) to +104°F (+40°C)
Projected Life	70% Light Output at 50,000 Hours
Certification	cETLus
Warranty	3 Year

ACCESSORIES

Sold Separately

-  [13" Mounting Plate Flat model # MP6-2](#)
-  [26" Flat Rough-In Plates model # RIP6](#)
-  [Flanged Plate with Hanger Bars - model # FRP6](#)
-  [Jumper Cable 10 ft. model # JC-5CCT-10](#)
-  [Goof Ring White OD 7 5/8" model # GR6](#)
-  0-10V Dimmable driver 120-347V for 5 CCT
[model # HBL015-AW-10-01A-5CS](#)
-  Emergency Driver 8W 120-347V input
[model # BLD-HM08D-YYY](#)

Lotus LED Lights USA

250 H Street # 301, Blaine WA 98230 tel 360-200-5500
Hainesport NJ, Naples FL, Vancouver WA

www.LotusLEDLights.com

mailing addresses
warehouses

Lotus LED Lights CANADA

1080 Cliveden Ave # 6, Delta BC V3M 6G6 tel 604-538-3090
Delta BC & Mississauga ON