

JXL-CA04-T10W-5CCT

4" Round Regressed Baffle Economy LED 10W 5CCT



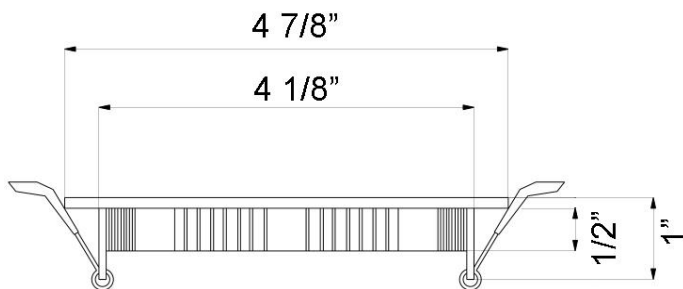
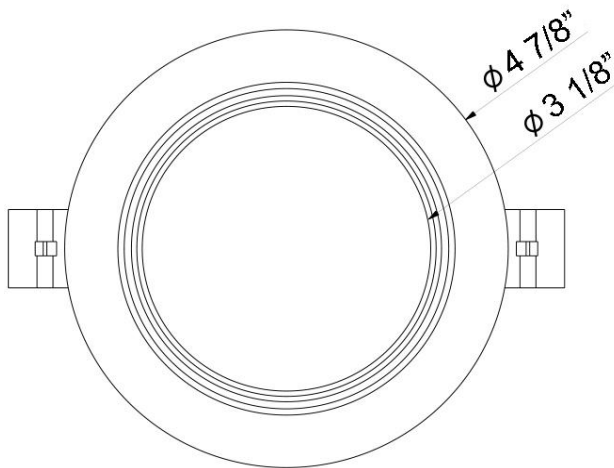
DESCRIPTION

4" Round Regressed Baffle Economy LED
With Integral Driver In Connection Box

FEATURES & BENEFITS

- 1/2" Deep** - Fits directly under joist
- 1/4" Regressed** with Baffle Reflector for Reduced Glare
- Type IC Rated** - No Housing Required
- Driver Inside Connection Box** - No Junction Box Needed
- 5 CCT** user selectable 2700K to 5000K

DIMENSIONS ID 4 1/8" OD 4 7/8" Depth: 1/2"
Cut Out 4 3/8" to 4 1/4"



AVAILABLE TRIMS



[White](#)



[Black](#)

ORDERING GUIDE

JXL-CA04-T10W-5CCT-WH [White Trim](#)
JXL-CA04-T10W-5CCT-BK [Black Trim](#)

Project: _____
Location: _____
Model: _____ Qty: _____
Notes: _____

SPECIFICATION	
Applications	Renovations & New Construction
Energy Used	10 W
Color Temperature (K)	2700 3000 3500 4000 5000
Light Output White Trim (lm)	650 720 770 780 710
Light Output Black Trim (lm)	550 610 660 680 610
Halogen Equivalent	75 W
Beam Angle	110°
CRI	80
Driver Input	120V AC 50/60 Hz
Dimming	TRIAC Dimmers 10% - 100%
Junction Box Volume	9.69 cubic inches / Max 5 No 12 AWG or 8 No 14 AWG
Approved Location	Insulated Ceiling & Damp Locations
Air Tight	Yes
Ambient Temperature	-4°F (-20°C) to +104°F (+40°C)
Projected Life	70% Light Output at 50,000 Hours
Certification	cETLus
Warranty	3 Year

120V Triac Dimmable Driver Included



ACCESSORIES

Sold Separately



[13" Mounting Plate Flat model # MP4-2](#)



[13" Mounting Plate Flanged model # MP4](#)



[26" Flat Rough-In Plates model # RIP412](#)



[Flanged Plate with Hanger Bars model # FRP4](#)



[Jumper Cable 10 ft. Model # JC-5CCT-10](#)



Goof Ring OD 5 3/4"
[White model # GR4](#) [Black model # GR4-BK](#)

COMPLIANCE



Type IC
Air-Tight

Lotus LED Lights USA
250 H Street # 301, Blaine WA 98230 tel 360-200-5500
Hainesport NJ, Naples FL, Vancouver WA

www.LotusLEDLights.com
mailing addresses
warehouses

Lotus LED Lights CANADA
1080 Cliveden Ave # 6, Delta BC V3M 6G6 tel 604-538-3090
Delta BC & Mississauga ON