



LED-2-S11W-EY-T-SQ

2" Trimless Square Gimbal LED 11W

Project: _____

Location: _____

Model: _____ Qty: _____

Notes: _____

DESCRIPTION

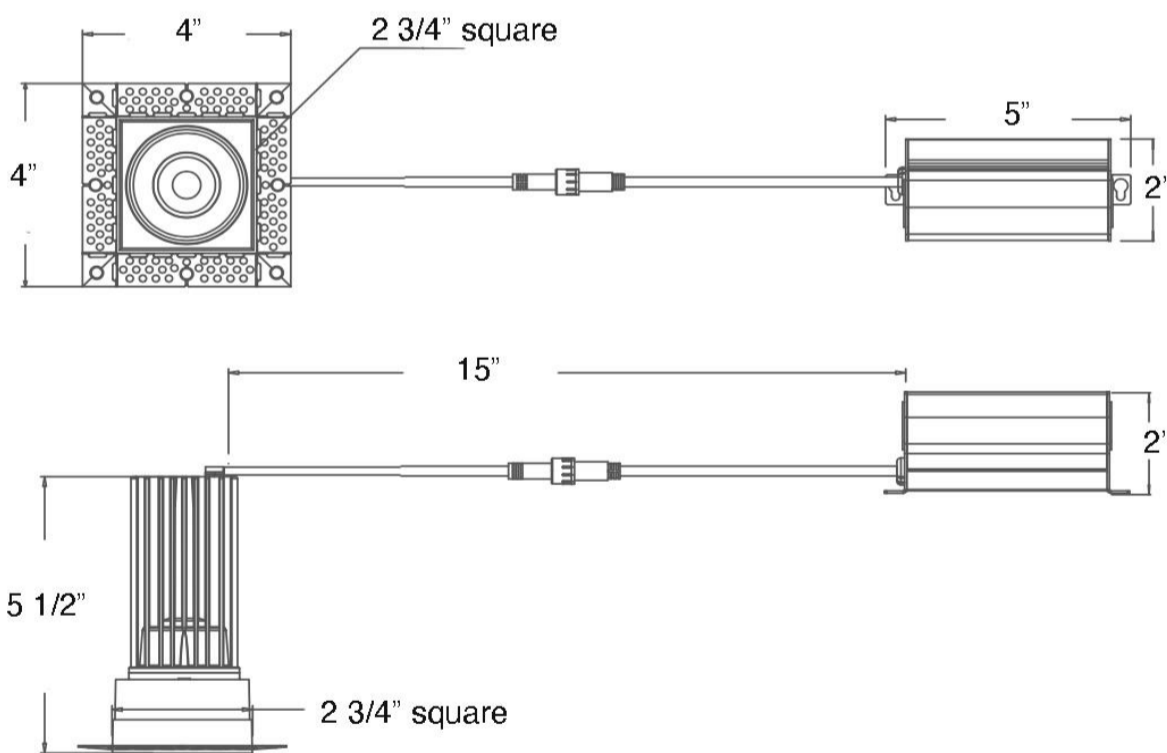
2" Trimless Square Gimbal Recessed LED
With Integral Driver In Connection Box

FEATURES & BENEFITS

- Up to 20° tilt** for slopped ceilings and wall washing
- 5CCT** user selectable 2700-3000-3500-4000-5000K or **Dim to Warm** 3000-1800K
- Beam options: **38°** (standard), **24°** & **60°** available as adder
- Light output up to **1000 lm**
- CRI 90+** for True Color Rendering
- 5" Deep** - Install Where Ceiling Space Is Limited
- Type IC Rated** - No Housing Required
- Wet Location Approved**
- Driver Inside Connection Box** - No Junction Box Needed
- 120V Triac Dimmable** or **120-347V 0-10V Dimmable Drivers**

DIMENSIONS: D 2 1/2" ; OD 3 1/2" ; Cut Out 2 3/4" Square Hole

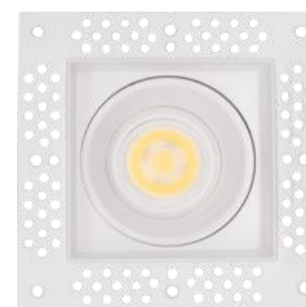
Ceiling Clearance Required: 5" 120V Triac Dim Driver Included



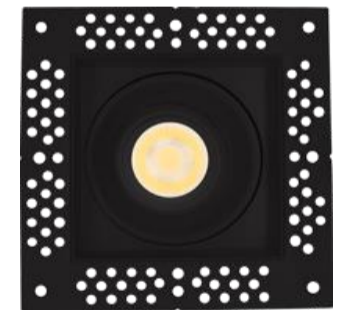
| SPECIFICATION | |
|---------------------------------|--|
| Applications | Sloped Ceilings, Wallwashing, Highlighting Artwork |
| Power | 11 W |
| Color Temperature (K) | 2700K - 3000K - 3500K - 4000K - 5000K - DTW 30-18K |
| Light Output White Trim (lm) | 800 - 850 - 930 - 980 - 1000 - 900 |
| Halogen Equivalent | 90 W |
| Beam Angle | 38° (standard), 24° & 60° available as adder |
| Tilt Angle | 20° |
| CRI | 90 + |
| Default Driver Input & Dimming | 120V AC 50/60 Hz - Triac Dimmable |
| Optional Driver Input & Dimming | 120V-347V AC 50/60 Hz - 0-10V Dimmable |
| J-Box Volume | 6.53 in ³ / 2 in 2 out 12AWG |
| Approved Location | Insulated Ceiling & Wet Locations |
| Air Tight | Yes |
| Ambient Temperature | -4°F (-20°C) to +104°F (+40°C) |
| Projected Life | 70% Light Output at 50,000 Hours |
| Certification | cETLus |
| Warranty | 5 Year |



AVAILABLE TRIMS



White



Black

ORDERING GUIDE

| | CCT | Trim | Beam Angle |
|-----------------------------------|-------------|-----------------------|----------------------|
| LED-2-S11W-5CCT-WH-EY-T-SQ | 5CCT | White | blank for 38° |
| LED-2-S11W-DTW-WH-EY-T-SQ | Dim to Warm | White | -24D for 24° |
| LED-2-S11W-5CCT-BK-EY-T-SQ | 5CCT | Black | -60D for 60° |
| LED-2-S11W-DTW-BK-EY-T-SQ | Dim to Warm | Black | |

Default beam angle is 38°, Optional are 24° & 60°



ACCESSORIES

Sold Separately



[Jumper Cables 10 ft 5CCT model JC-5CCT-10](#)

[Jumper Cables 10 ft DTW model JC-10](#)

[Mounting Plate Square Hole model MP-SQ-24](#)

[0-10V Driver 120-347V for 5CCT HBL012-AW-10-01A-5CS](#)

[0-10V Driver 120-347V for DTW HBL012-AW-10-01L](#)

Lotus LED Lights USA

250 H Street # 301, Blaine WA 98230 tel 360-200-5500
Hainesport NJ, Naples FL, Vancouver WA

www.LotusLEDLights.com

mailing addresses
warehouses

Lotus LED Lights CANADA

1080 Cliveden Ave # 6, Delta BC V3M 6G6 tel 604-538-3090
Delta BC & Mississauga ON