



LED-S9W-5CCT-SQ-BF

4" Square Regressed Baffle Budget LED 9W 5CCT



Project: _____

Location: _____

Model: _____ Qty: _____

Notes: _____

DESCRIPTION

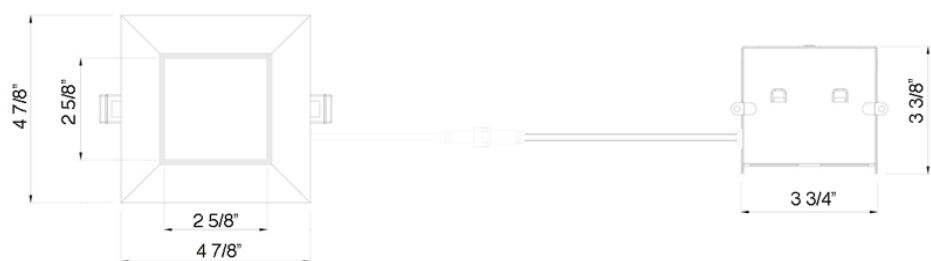
4" Square Regressed Baffle Budget LED
With Integral Driver In Connection Box

FEATURES & BENEFITS

- 1/2" Deep** - Fits directly under joist
- 1/4" Regressed** with Baffle Reflector for Reduced Glare
- 5 CCT** user selectable 2700-300-3500-4000-5000K
- Type IC Rated** - No Housing Required
- Driver Inside Connection Box** - No Junction Box Needed

DIMENSIONS ID 4 3/16" OD 4 7/8" Depth: 1/2" Cut Out 4 1/4"

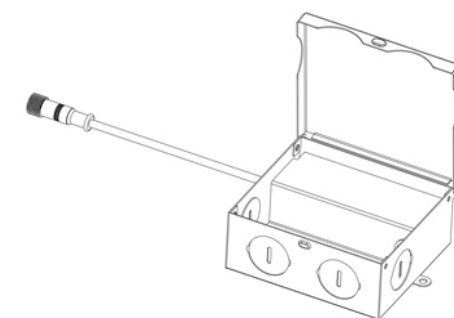
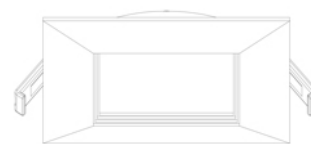
120V Triac Dimmable Driver Included



TRIM OPTIONS



SPECIFICATION	
Applications	Renovations & New Construction
Energy Used	9 W
Color Temperature (K)	5 CCT: 2700 3000 3500 4000 5000
Light Output (lm)	630 705 750 740 710
Halogen Equivalent	65 W
Beam Angle	110°
CRI	80
Driver Input	120V AC 50/60 Hz
Dimming	TRIAC Dimmers 10% - 100%
Junction Box Volume	9.69 cubic inches / Max 5 No 12 AWG or 8 No 14 AWG
Approved Location	Insulated Ceiling & Damp Locations
Air Tight	Yes
Ambient Temperature	-4°F (-20°C) to +104°F (+40°C)
Projected Life	70% Light Output at 50,000 Hours
Certification	cETLus
Warranty	5 Year



ACCESSORIES

Sold Separately



[13" Mounting Plate Flat model # MP4-2](#)



[13" Mounting Plate Flanged model # MP4](#)



[26" Flat Rough-In Plates model # RIP412](#)



[Flanged Plate with Hanger Bars model # FRP4](#)



[Jumper Cable 10 ft. Model # JC-5CCT-10](#)

ORDERING GUIDE

LED-S9W-5CCT-WH-SQ-BF
LED-S9W-5CCT-BK-SQ-BF

Trim
[White](#)
[Black](#)



COMPLIANCE



Type IC
Air-Tight

Lotus LED Lights USA

250 H Street # 301, Blaine WA 98230 tel 360-200-5500
Hainesport NJ, Naples FL, Vancouver WA

www.LotusLEDLights.com

mailing addresses
warehouses

Lotus LED Lights CANADA

702 Chester Rd, Delta BC V3M 6J1 tel 604-538-3090
Delta BC & Mississauga ON