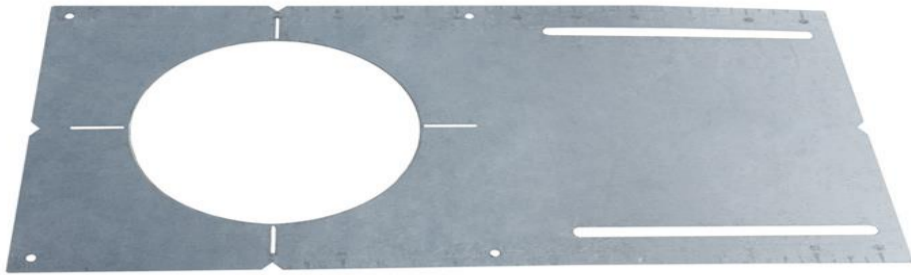


# MP4-2

## 13" Long Flat Rough-In Plate for 4" Models



Project: \_\_\_\_\_

Location: \_\_\_\_\_

Quantity: \_\_\_\_\_

To be used with fixture model: \_\_\_\_\_

Notes: \_\_\_\_\_

### DESCRIPTION

13" Long Rough-in plate Flat for new construction pre-mounting of 4" models.  
Hole diameter 4 1/4"

### FEATURES

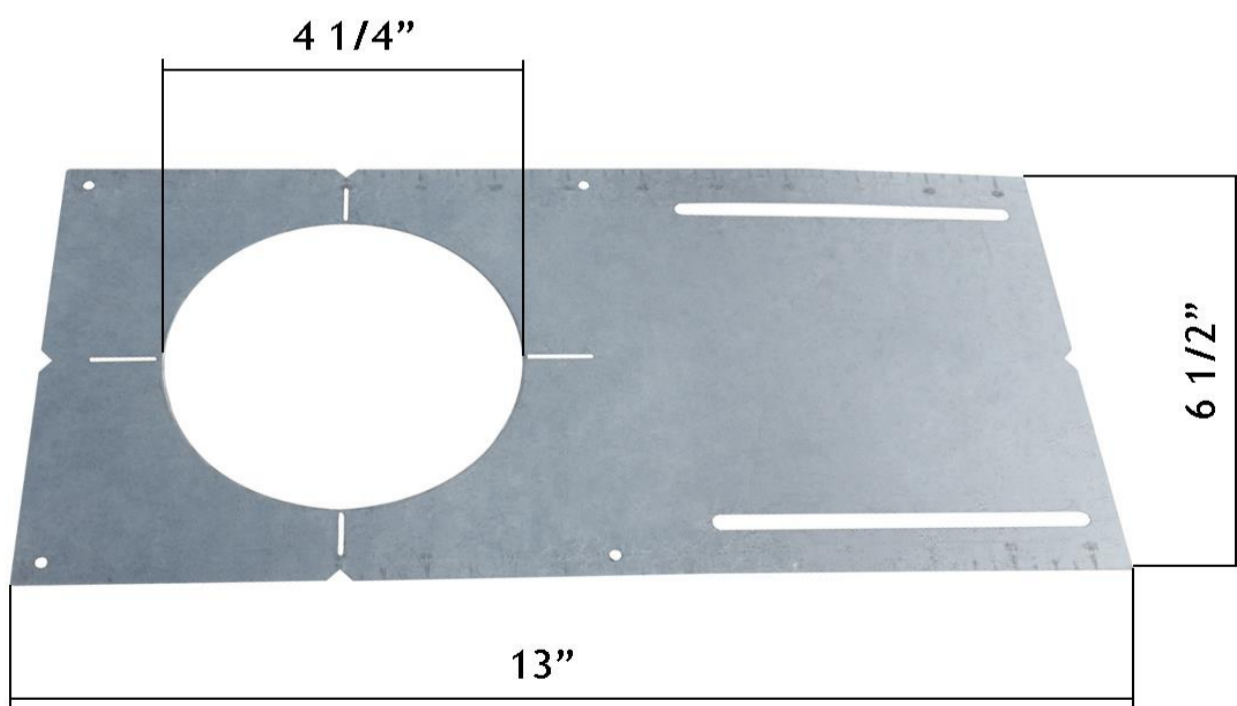
Made from galvanized steel.  
Plate has alignment notches, slots and holes.

### MOUNTING

Fix the plate with screws (not supplied) through the mounting slots.

### ORDERING GUIDE

model # **MP4-2**



### COMPATIBLE FIXTURES

[LB4R](#)[LB4R24V](#)[LL4R](#)[LL4R24V](#)[LL4G](#)[LL4G-HO](#)[LL4RR](#)[LL4SR](#)[LD4R](#)[LD4R-HO](#)[LD4R-CPL](#)[LD4R-HO-CPL](#)[LD4S](#)[LD4S-HO](#)[AD-LED-4-S12W-LREY](#)[AD-LED-4-S12W-LREY-SQ](#)[LED-4-S9W-FG](#)[LED-4-S9W-5CCT-FG-SQ](#)[LED-S9W](#)[LED-S9W-5CCTWH-R-BF](#)[LED-S9W-5CCTWH-SQ](#)[LY4RCS](#)[LY41RCD](#)[LY4S](#)[LL4S](#)[LB4S/24V](#)[JXL-COB04-R15W-CCT](#)[JXL-COB04-S15W-CCT](#)[FR-LED-4-S9W-5CCT-FG](#)[FR-LED-4-S12W-5CCT-PL](#)

Lotus LED Lights USA

250 H Street # 301, Blaine WA 98230 tel 360-200-5500  
Hainesport NJ, Naples FL, Vancouver WA

[www.LotusLEDLights.com](http://www.LotusLEDLights.com)

mailing addresses  
warehouses

Lotus LED Lights CANADA

1080 Cliveden Ave # 6, Delta BC V3M 6G6 tel 604-538-3090  
Delta BC & Mississauga ON