



RIP212

26" Rough-In Plate for 2 1/2" Recessed LED



Project: _____

Location: _____

Qty: _____

Notes: _____

DESCRIPTION

Rough-in plate for new construction pre-mounting of 2 1/2" recessed fixtures.
Hole diameter 2 5/8"

FEATURES

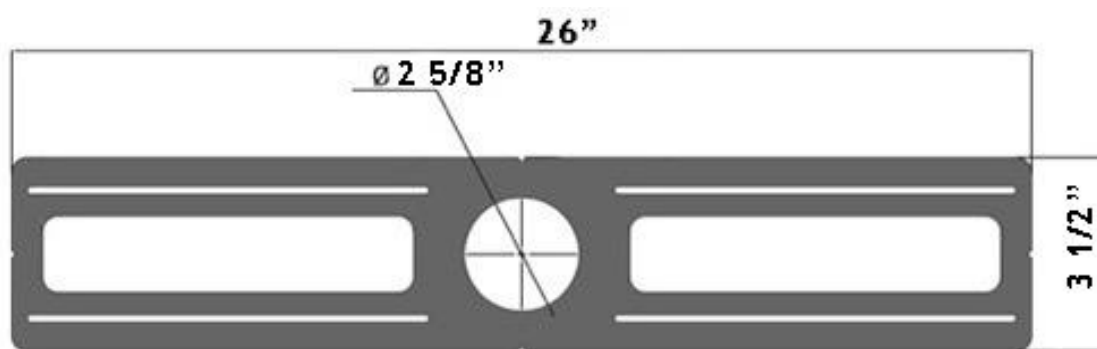
Made from galvanized steel, 26" long to fit joists up to 24" apart.
Plate has alignment notches

MOUNTING

Fix the plate with screws (not supplied) through the mounting slots

COMPATIBLE FIXTURES

- [LED-2-S5W-5CCT-FG](#)
- [LRG2](#)
- [LRG2-HO](#)
- [LSG2](#)
- [LSG2-HO](#)
- [LED-2-S8W2](#)
- [LED-2-S15W](#)
- [LED-2-S15W-L5CCTWH-T](#)
- [LED-2-S11W-EY](#)
- [LED-2-S11W-EY-T](#)
- [JXL-COB02-R08W-CCT](#)
- [JXL-COB02-S08W-CCT](#)



ORDERING GUIDE

model # **RIP212**

Lotus LED Lights USA

250 H Street # 301, Blaine WA 98230 tel 360-200-5500
Hainesport NJ, Naples FL, Vancouver WA

www.LotusLEDLights.com

mailing addresses
warehouses

Lotus LED Lights CANADA

1080 Cliveden Ave # 6, Delta BC V3M 6G6 tel 604-538-3090
Delta BC & Mississauga ON